

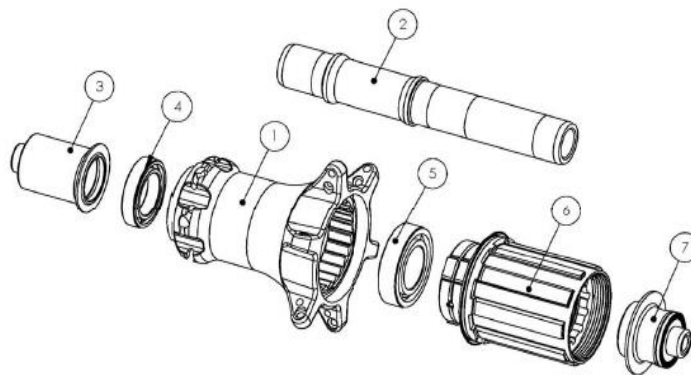


Aeolus Pro 5 TLR Clincher Rear Wheel



Wheel Components

TCG Part Number	Description
562750	Wheel
NA	Hub (OE use only, not available for aftermarket purchase)
NA	Rim
W517973	Skewer
W315215	Drive Side Spokes
W315215	Non-Drive Side Spokes
415761	Nipples
W514417	Tubeless Rim Strip
566765	Tubeless Valve Stem



Hub Service Parts

Diagram Number	TCG Part Number	Description
1	NA	Hub Shell
2,3,7	431782	Axle Kit (includes axle and endcaps)
4	72447	Ball bearing 6802 24x15x5mm
5	413573	Ball bearing 6902 28x15x7mm
6	W431450	Freehub, Shimano 9/10/11-Speed compatible, includes drive side endcap
not pictured	W329910	Cassette Spacer (required for use with Shimano 9/10-speed cassettes)
Not Pictured	W581084	SRAM XDR Freehub (end cap sold separately)
Not Pictured	W592490	SRAM XDR 5mm QR Drive Side End Cap
not pictured	W420390	Campy Freehub (includes Drive-side end cap and lock ring)

Wheel Building Information and Specifications

Value	Description or Specification
Wheel Building Information	
0.3mm	Hop (mm)
0.3mm	Wobble (mm)
0.6mm	Dish (mm)
720	Wheel stress level drive side up (degrees of rotation, measured on Bontrager Stressor)
450	Wheel stress level non-drive side up (degrees of rotation, measured on Bontrager Stressor)
253 lbs min, 340 lbs max OR 114.8 kgf min, 154.2 kgf max	Spoke Tension, Drive Side
100 lbs min OR 45.4 kgf min	Spoke Tension, Non-Drive Side
Lacing Pattern drive side	Spokes woven, with the pulling spoke on the outside of first cross and inside of the second cross. 2 cross. Second hole CW from the valve hole is a pulling spoke.
Lacing pattern non-drive side	Radial. Rim tool mark to be NDS.
Additional build instructions	NA
Size Specifications	
270mm	Spoke Length Drive
270mm	Spoke Length Non-Drive
50mm	Rim height
27.7mm	Rim outer width
NA	Rim spoke offset
19.2mm	Rim inner hook bead width
Other Specifications	
900g	Wheel weight
NA	Rim weight
NA	Hub weight
Black/Anthracite	Wheel Color
Black	Hub color
Black	Spoke color
Black/Anthracite	Rim color
24	Spoke Count
14/17G	Spoke Gauge
Yes	Tubeless ready