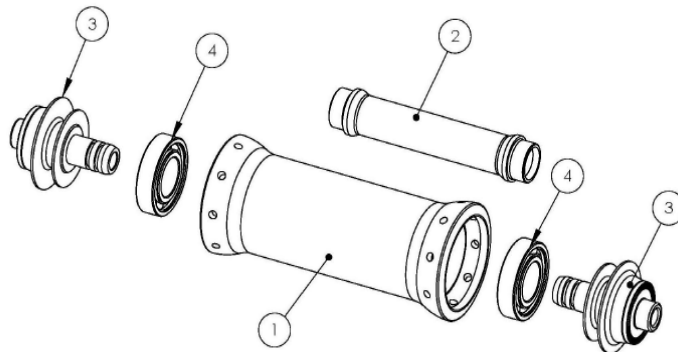


Aeolus Pro 5 TLR Clincher Front Wheel



Wheel Components

TCG Part Number	Description
562749	Wheel
NA	Hub (OE use only, not available for aftermarket purchase)
NA	Rim
W518389	Skewer
W311201	Drive Side Spokes
W311201	Non-Drive Side Spokes
415761	Nipples
W514417	Tubeless Rim Strip
566765	Tubeless Valve Stem



Hub Service Parts

Diagram Number	TCG Part Number	Description
1	NA	Hub Shell
2,3	431781	Axle Kit (includes end caps, bearings, axle)
4	282091	Ball Bearing 6901 24x12x6mm

Wheel Building Information and Specifications

Value	Description or Specification
Wheel Building Information	
0.4mm	Hop (mm)
0.3mm	Wobble (mm)
0.6mm	Dish (mm)
360	Wheel stress level drive side up (degrees of rotation, measured on Bontrager Stressor)
360	Wheel stress level non-drive side up (degrees of rotation, measured on Bontrager Stressor)
220 lbs min, 290 lbs max OR 99.8 kgf min, 131.5 kgf max	Spoke Tension
Lacing Pattern	Radial, first hole CW of the valve hole is a down hole.
Additional build instructions	NA
Size Specifications	
261mm	Spoke Length Drive
261mm	Spoke Length Non-Drive
50mm	Rim height
27.7mm	Rim outer width
NA	Rim spoke offset
19.2mm	Rim inner hook bead width
Other Specifications	
705g	Wheel weight
NA	Rim weight
NA	Hub weight
Black/Anthracite	Wheel Color
Black	Hub color
Black	Spoke color
Black/Anthracite	Rim color
18	Spoke Count
14/17G	Spoke Gauge
Yes	Tubeless ready