



**BONTRAGER**

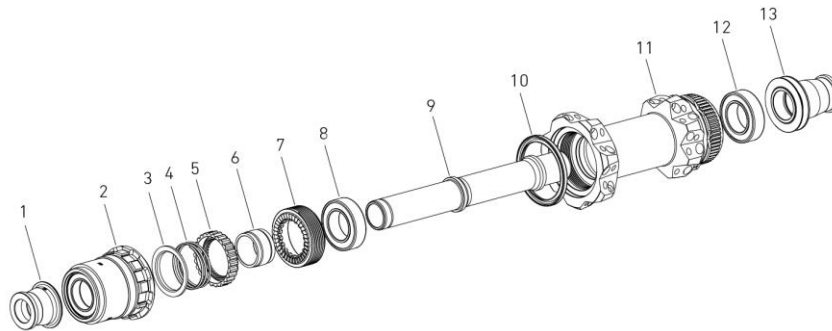
**WHEEL SPECIFICATIONS**

Aeolus RSL 75 TLR Clincher Disc Rear Wheel



**Wheel Components**

| TCG Part Number   | Description   |
|-------------------|---|
| 5254761 / 5262036 | Wheel   |
| NA                | Hub (OE use only, not available for aftermarket purchase) |
| NA                | Rim   |
| W5254544          | Drive Side Spokes   |
| W5254546          | Non-Drive Side Spokes                                     |
| W593860           | Nipples   |
| W5252902          | Tubeless Rim Strip  |
| W5257673          | Tubeless Valve Stem                                       |



**Hub Service Parts**

| Diagram Number | TCG Part Number | Description  |
|----------------|-----------------|--|
| Not Shown      | 1051527         | End Cap Driveside - Shimano 11-Speed Road                        |
| 1              | 1051528         | End Cap Driveside - SRAM XDR                                     |
| Not Shown      | 1048776         | Freehub Shimano 11-Speed Road (Includes 12mm drive side end cap) |
| 2              | 1048777         | Freehub SRAM XDR (Includes 12mm drive side end cap)              |
| 3              | 1048769         | Spring Seat  |
| 4              | 1048770         | Ratchet EXP Spring   |
| 5              | 1048775         | Ratchet EXP Star Ratchet - 36T                                   |
| 6              | 1048774         | Freehub Spacer   |
| 7              | 1048773         | Ratchet EXP Threaded Star Ratchet - 36T                          |
| 8              | 1050471         | Ball Bearing 15267 15x26x7mm (Steel, stock)                      |
| 9              | 1048771         | Axle   |
| 10             | W211591         | Seal Hub Shell/Rotor   |
| 11             | NA              | Hub Shell  |
| 12             | 1050471         | Ball Bearing 15267 15x26x7mm (Steel, stock)                      |
| 13             | 1048772         | Axle End Cap Non-Drive Side                                      |

## Wheel Building Information and Specifications

| Value   | Description or Specification   |
|---|--|
| <b>Wheel Building Information</b>                       |  |
| 0.4mm   | Hop (mm)   |
| 0.3mm   | Wobble (mm)  |
| 0.6mm   | Dish (mm)  |
| NA  | Wheel stress level drive side up (degrees of rotation, measured on Bontrager Stressor)   |
| NA  | Wheel stress level non-drive side up (degrees of rotation, measured on Bontrager Stressor)   |
| 253 lbs min, 340 lbs max OR<br>115 kgf min, 154 kgf max | Spoke Tension, Drive Side  |
| 115lbs min<br>OR 52 kgf min                             | Spoke Tension, Non-Drive Side  |
| Lacing Pattern drive side                               | 2 cross. Spokes woven, with the pulling spoke on the outside of first cross and inside of the second cross. Second hole CW from the valve hole is a pulling spoke. |
| Lacing pattern non-drive side                           | 2 cross. Spokes woven, with the pulling spoke on the inside of first cross and outside of the second cross. Second hole CW from the valve hole is a pushing spoke. |
| Additional build instructions                           | NA   |
| <b>Size Specifications</b>                              |  |
| 237mm   | Spoke Length Drive   |
| 239mm   | Spoke Length Non-Drive   |
| 495mm   | Rim ERD  |
| 75mm  | Rim height   |
| 32mm  | Rim outer width  |
| 23mm  | Rim inner hook bead width  |
| NA  | Rim spoke offset   |
| <b>Other Specifications</b>                             |  |
| 880g  | Wheel weight   |
| 555g  | Rim weight   |
| 210g  | Hub weight   |
| Carbon with laser etched graphics                       | Wheel Color  |
| Black   | Hub color  |
| Black   | Spoke color  |
| Carbon with laser etched graphics                       | Rim color  |
| 24  | Spoke Count  |
| 14/17G  | Spoke Gauge  |
| Centerlock  | Disc brake interface   |
| Yes   | Tubeless ready   |