



BONTRAGER

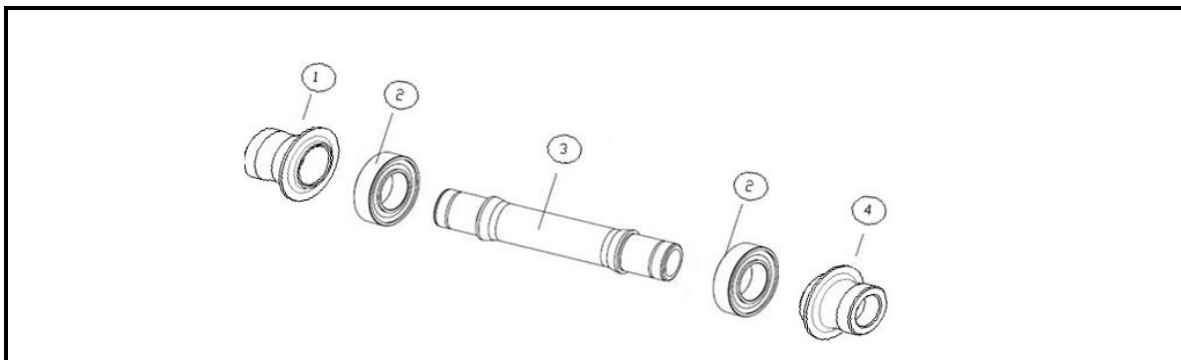
WHEEL SPECIFICATIONS

Aeolus RSL 75 TLR Clincher Disc Front Wheel



Wheel Components

TCG Part Number	Description
5254760 / 5262035	Wheel
NA	Hub (OE use only, not available for aftermarket purchase)
NA	Rim
W5254544	Drive Side Spokes
W5254545	Non-Drive Side Spokes
W593860	Nipples
W5252902	Tubeless Rim Strip
W5257673	Tubeless Valve Stem



Hub Service Parts

Diagram Number	TCG Part Number	Description
1	1049000	Axle End Cap Disc Side (12mm)
2	72447	Ball bearing 6802 15x24x5mm (Steel, stock)
2	510976	Ball bearing 6802 15x24x5mm (Ceramic upgrade)
3	1049001	Axle
4	1051532	Axle End Cap Non-Disc Side (12mm)
Not Pictured	524663	Bontrager Centerlock Lockring (external tool)
Not Pictured	1051432	Bontrager Centerlock Lockring (internal tool)

Wheel Building Information and Specifications

Value	Description or Specification
Wheel Building Information	
0.4mm	Hop (mm)
0.3mm	Wobble (mm)
0.6mm	Dish (mm)
NA	Wheel stress level disc side up (degrees of rotation, measured on Bontrager Stressor)
NA	Wheel stress level non-disc side up (degrees of rotation, measured on Bontrager Stressor)
220 lbs min, 290 lbs max OR 100 kgf min, 132 kgf max	Spoke Tension, Disc Side
115lbs min OR 52 kgf min	Spoke Tension, Non-Disc Side
Lacing Pattern disc side	2 cross. Spokes woven, with the pulling spoke on the inside of first cross and outside of the second cross. Second hole CW from the valve hole is a pushing spoke.
Lacing pattern non-disc side	2 cross. Spokes woven, with the pulling spoke on the outside of first cross and inside of the second cross. Second hole CW from the valve hole is a pulling spoke.
Additional build instructions	NA
Size Specifications	
237mm	Spoke Length Drive
240mm	Spoke Length Non-Drive
495mm	Rim ERD
75mm	Rim height
32mm	Rim outer width
23mm	Rim inner hook bead width
NA	Rim spoke offset
Other Specifications	
765g	Wheel weight
555g	Rim weight
107g	Hub weight
Carbon with laser etched graphics	Wheel Color
Black	Hub color
Black	Spoke color
Carbon with laser etched graphics	Rim color
24	Spoke Count
14/17G	Spoke Gauge
Centerlock	Disc brake interface
Yes	Tubeless ready